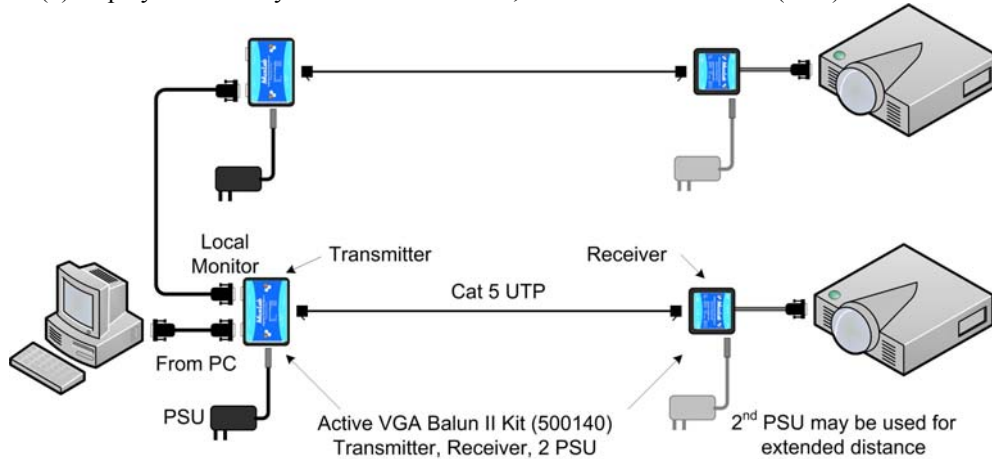




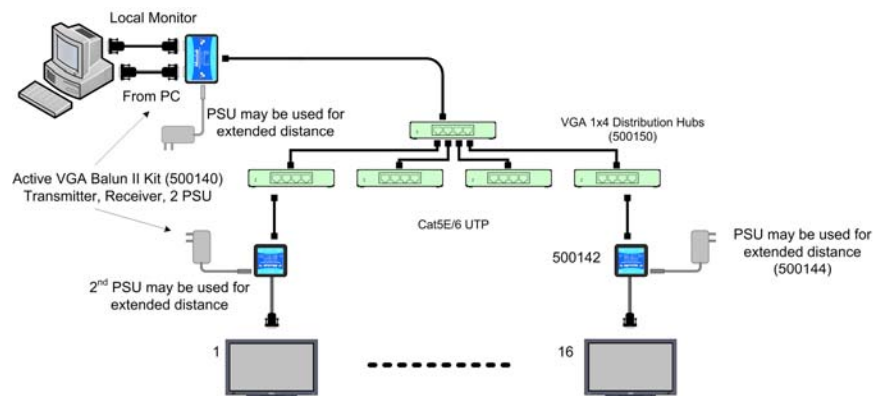
Active VGA Balun Kit II (500140), VGA 1x4 Hub (500150)

Frequently Asked Questions (FAQ)

1. **Do the 500140 and 500150 have ground loop isolation?** Yes. Up to -2VDC to $+3\text{VDC}$ between the PC and the display grounds.
2. **Does the 500150 extend the distance over Cat5E?** No. The 500150 is a unity gain amplifier that may be installed anywhere between the Active VGA Balun II Transmitter and the Active VGA Balun II Receiver. The maximum distance is determined by the maximum distance between the Active VGA Balun II Transmitter and the Active VGA Balun II Receiver.
3. **Is the 500140 cascadable to support more than one display?** Yes. Up to three (3) 500140 transmitters may be cascaded to support up to three (3) displays. For every transmitter cascaded, there is a loss of 100 ft (31m) in distance at 1024x768 resolution.



4. **Is the 500150 cascadable to support more than one hub?** Yes. The 500150 may be cascaded up to four (4) levels. The following diagram shows two-level cascading.



5. **On which port of the hub is DDC transmitted?** Port #1.
6. **Is there any latency due to the balun or the DDC handshaking?** The active baluns have negligible latency; typically below 20ns (nano-second). At start-up, there is no delay due to DDC handshaking since DDC handshaking is transmitted separately from the VGA video image.
7. **Is there a maximum distance for the VGA jumper cables?** Yes. 15 ft (4.5m)

8. **What is the difference between the Active VGA Balun (500035) and Active VGA Balun II (500140)?** The differences are shown in the following table:

Feature	500035	Positioning of 500035	500140	Positioning of 500140
MSLP	\$350	Basic point-to-point	\$420	Advanced VGA systems
Remote Power up to 150 ft	No		Yes	Simplified power cabling
DDC Compliance	No		Yes	Plug-and-play, specialized software; medical imaging, digital signage
Maximum Distance @ highest res	400 ft		600 ft	
Maximum Distance @ lowest res	700 ft		1000 ft	Digital signage, campus, airports
Ground Loop Isolation	No		Yes	Less site maintenance
Works with VGA Hub	No		Yes	Distribution, digital signage
Receiver connects directly to disp	No		Yes	Simplified cabling. Neater installation
Warranty	1 yr		2 yrs	Seerviceability

9. **What is DDC Compliance?** DDC stands for Data Display Channel and is a VESA standard that defines communication between a monitor and a host system. Its purpose is to allow information about the monitor to be sent to the PC so that the PC can output the optimum image size and resolution for the monitor. By being DDC Compliant, the Active VGA Balun II Kit and VGA Hub allow the DDC signal to pass between the monitor and the PC. Certain software such as medical imaging or digital signage take advantage of this feature to optimize their software according to the type of display that is connected. Audio-video systems integrators will typically be interested in the product for this reason. Most passive/active baluns on the market do not support this feature.

10. **What is the difference between 500140 and 500140 (Rev B)?** The 500140 (Rev B) was modified to include brightness and sharpness potentiometer gain adjustments instead of DIP switches. This change was made to improve the fine tune adjustment of the product at variable cable lengths.



For more information, please contact MuxLab Customer Technical Support at 877-689-5228 (North America) or +1 514-905-0588 or at videoease@muxlab.com or visit <http://www.muxlab.com/>.