

Overview

The Active VGA Managed Receiver (500174) works in conjunction with the Active VGA Managed Dispatcher or Repeater Hubs to converter from Cat5e/6 back to native VGA and stereo audio. The receiver feature dual-VGA outputs and is designed with a built-in VESA mounting plate for ease of installation behind LCD displays.

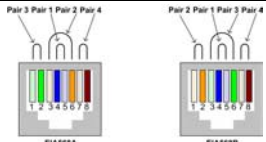
Applications

Digital signage, residential, boardroom, classroom, medical imaging video systems.

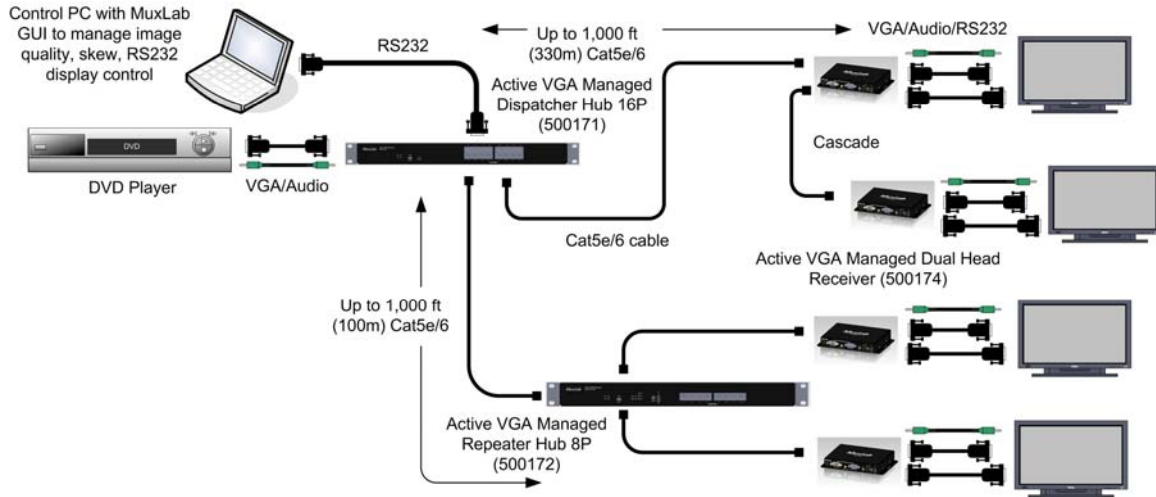


Key Features

- Converts Cat5e/6 to VGA/audio
- Up to 1,000 ft (305m) via Cat5e/6 @ 1920 x 1200
- Supports VGA, stereo audio and RS232 Gain, sharpness, skew adjust via manual, GUI, RS232
- Dual-VGA outputs
- Works with 500170/171 and 500172
- VESA 75/100mm mounting flanges

Specifications	
Environment	VGA. Analog stereo audio, RS232
Devices	PCs, laptops, LCD/plasma screens, video servers, touchscreens
Transmission	Transparent to the user.
Maximum resolution	1080p; 1920 x 1200
Connectors	FRONT PANEL VGA 2 Out: One (1) HD15F Audio 2 Out: One (1) 3.5 mm stereo jack RS232 2 Out: One (1) DB9M Maintenance: One (1) Mini USB BACK PANEL Power: One (1) power jack Link In: One (1) RJ45S VGA 1 Out: One (1) HD15F Audio 1 Out: One (1) 3.5 mm stereo jack RS232 1 Out: One (1) DB9M Cascade Out: One (1) RJ45S
Maximum Distance: Dispatcher to Receiver, Repeater Hub to Receiver	Up to 1920 x 1200 @ 60Hz; 1080P (depending on cable length) Up to 1,000 feet (305 meters) <i>NOTE: STP cables must be used in an electrically noisy environment. Also, cross-connection reduces the effective distance depending on the grade of twisted cable used.</i>
RJ45 Pin Configuration Reverse Polarity Sensitive Use EIA/TIA 568 A or B, straight-through wiring	Green: Pin 4 (R) Pin 5 (T) Blue: Pin 1 (R) Pin 2 (T) Red: Pin 7 (R) Pin 8 (T) COM: Pin 3 (R) Pin 6 (T) 
Adjustments	Gain, sharpness and skew
LED Indicators	Sync: One (1) green LED Power: One (1) green LED Sharpness One (1) green LED Gain One (1) green LED R One (1) green LED G One (1) green LED B One (1) green LED
Cable	Cat 5e/6 unshielded twisted pair (or better)
Power Supply	110-240V/12VDC/0.5A power jacks Removable AC blades included for North America, Continental Europe & UK
Power Consumption	6 Watts
Temperature	Operating: 0°C to 40°C Storage: -20°C to 85°C Humidity: Up to 95% non-condensing
Dimensions	Hybrid VESA 75 mm and 100 mm Mounting Surface Enclosure Dimensions: 5.68" x 4.45" x 1.04" (14.42 cm x 11.30 cm x 2.64 cm)
Weight	2.0 lb (0.9 kg)
Regulatory	FCC, CE-EMC Directive 89/336/EE, RoHS, WEEE
Warranty	Two (2) years
Order Information	500174: Active VGA Managed Receiver, Dual Head

Typical Applications



Rear panel