

Active VGA Managed Repeater Hub, 8P

500172

Overview

The Active VGA Managed Repeater Hub (500172) allows the Active VGA Managed Receivers to be located an additional 1,000 ft (305m) from the Active VGA Managed Dispatcher Hub. A Repeater Hub is used whenever a source signal must be distributed to more than 8 or 16 remote locations, or over a distance of more than 1,000 feet. The Repeater Hub receives the source signal from the Dispatcher, amplifies and equalizes it, and then distributes it to as many as 8 Receivers located as far as 1,000 feet (305m) away.

Applications

Digital signage, boardroom systems, multi-room systems, classroom training, retail systems, electronic billboards, electronic signs, video kiosks, point-of-sale displays, in-store video.



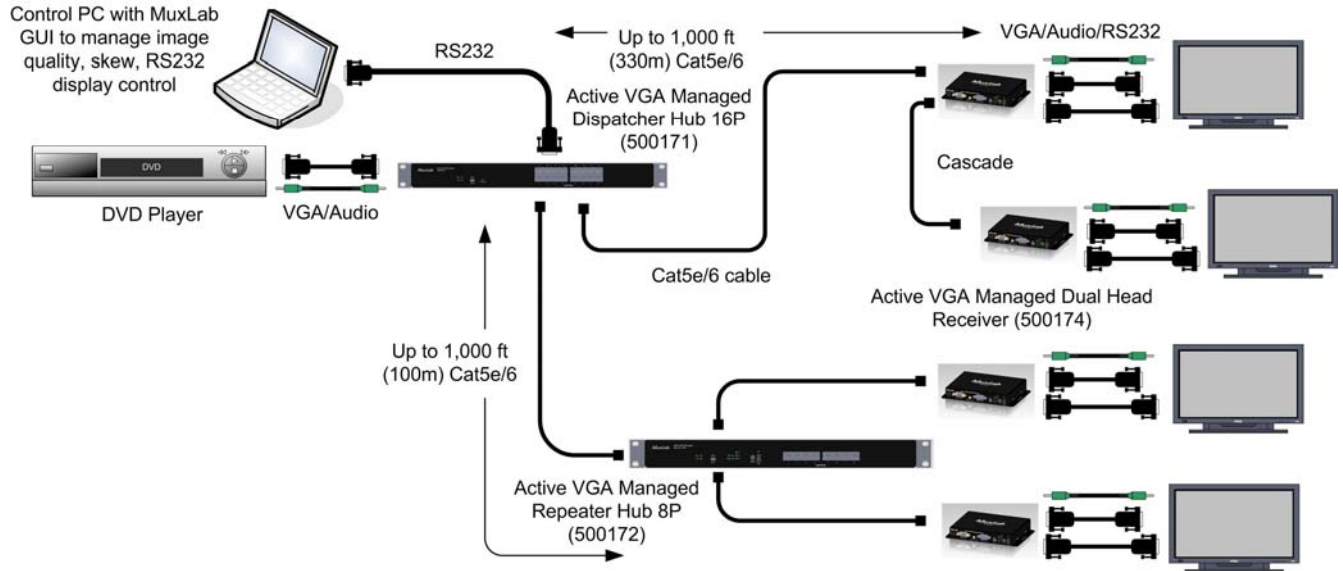
Features

- Distributes VGA/Audio to up to 8 displays
- Extends distance additional 1,000 ft (305m)
- Gain, sharpnes, skew adjustment via manual, RS232
- Works with the Active VGA Managed Disptacher Hub (500170/171) and Active VGA Managed Receiver (500174)

Specifications													
Environment	VGA. Analog stereo audio, RS232												
Devices	PCs, laptops, CRT monitors, LCD monitors, plasma screens,touchscreens												
Transmission	Transparent to the user.												
Maximum Resolution	1080p; 1920 x 1200												
Connectors	FRONT PANEL Maintenance: One (1) Mini USB Link Ports: Eight (8) RJ45S BACK PANEL <i>Local Out</i> : VGA: One (1) HD15F <i>Local In</i> : Link: One (1) RJ45S Power: One (1) power jack												
Maximum Distance	Up to 1920 x 1200 @ 60Hz; 1080P (depending on cable length) Up to 1,000 feet (305 meters) <i>NOTE: STP cables must be used in an electrically noisy environment. Also, cross-connection reduces the effective distance depending on the grade of twisted cable used.</i>												
RJ45 Pin Configuration <i>Reverse Polarity Sensitive</i> <i>Use EIA/TIA 568 A or B, straight-through wiring</i>	<table border="0"> <tr> <td>Red:</td> <td>Pin 7 (R)</td> <td>Pin 8 (T)</td> </tr> <tr> <td>Blue:</td> <td>Pin 1 (R)</td> <td>Pin 2 (T)</td> </tr> <tr> <td>Green:</td> <td>Pin 4 (R)</td> <td>Pin 5 (T)</td> </tr> <tr> <td>COM:</td> <td>Pin 3 (R)</td> <td>Pin 6 (T)</td> </tr> </table>	Red:	Pin 7 (R)	Pin 8 (T)	Blue:	Pin 1 (R)	Pin 2 (T)	Green:	Pin 4 (R)	Pin 5 (T)	COM:	Pin 3 (R)	Pin 6 (T)
Red:	Pin 7 (R)	Pin 8 (T)											
Blue:	Pin 1 (R)	Pin 2 (T)											
Green:	Pin 4 (R)	Pin 5 (T)											
COM:	Pin 3 (R)	Pin 6 (T)											
LED Indicators	Sync: One (1) green LED Power: One (1) green LED Sharpness One (1) green LED Gain One (1) green LED R One (1) green LED G One (1) green LED B One (1) green LED												
Cable	Cat5e/6 or better unshielded twisted pair cable.												
Power Supply	110-240V/12VDC/1.25A power jacks Removable AC blades included for North America, Continental Europe & UK												
Power Consumption	15W												
Compatible Products	500170/171, 500174												
Temperature	Operating: 0° to 40° C. Storage:-10° to 70° C. Humidity: up to 95% non-condensing												
Dimensions	1U Rack Mountable Enclosure Dimensions: 17.15" x 4.69" x 1.72" (43.56 cm x 11.91 cm x 4.37 cm)												
Weight	3.8 lb (1.7 kg)												
Regulatory	FCC, CE-EMC Directive 89/336/EE, RoHS, WEEE												
Warranty	Two (2) years												
Order Information	500172 Active VGA Managed Repeater Hub, 8 Ports, 110-240V												

Active VGA Managed Repeater Hub, 8P 500172

Typical Application



Rear panel