

**Overview**

The VideoEase CATV Balun allows traditional 75-ohm coaxial cable to be replaced by a single pair of Cat 5 UTP cable in the CATV, VHF and FM environments in certain applications. Used in pairs, the CATV Balun allows broadband CATV equipment to be integrated into structured cabling systems thereby allowing CATV equipment to be moved or added to any convenient modular wall outlet.

The VideoEase CATV Balun provides a versatile cabling solution for broadband video systems used by schools, government, corporations, hospitals, financial institutions, hotels and convention centres. The CATV Balun works in conjunction with CATV splitters, amplifiers and cable modems for a total cabling solution.



**Benefits**

Cost savings - eliminate costly coaxial cable  
Less down time - quicker moves, adds and changes  
Neater wiring

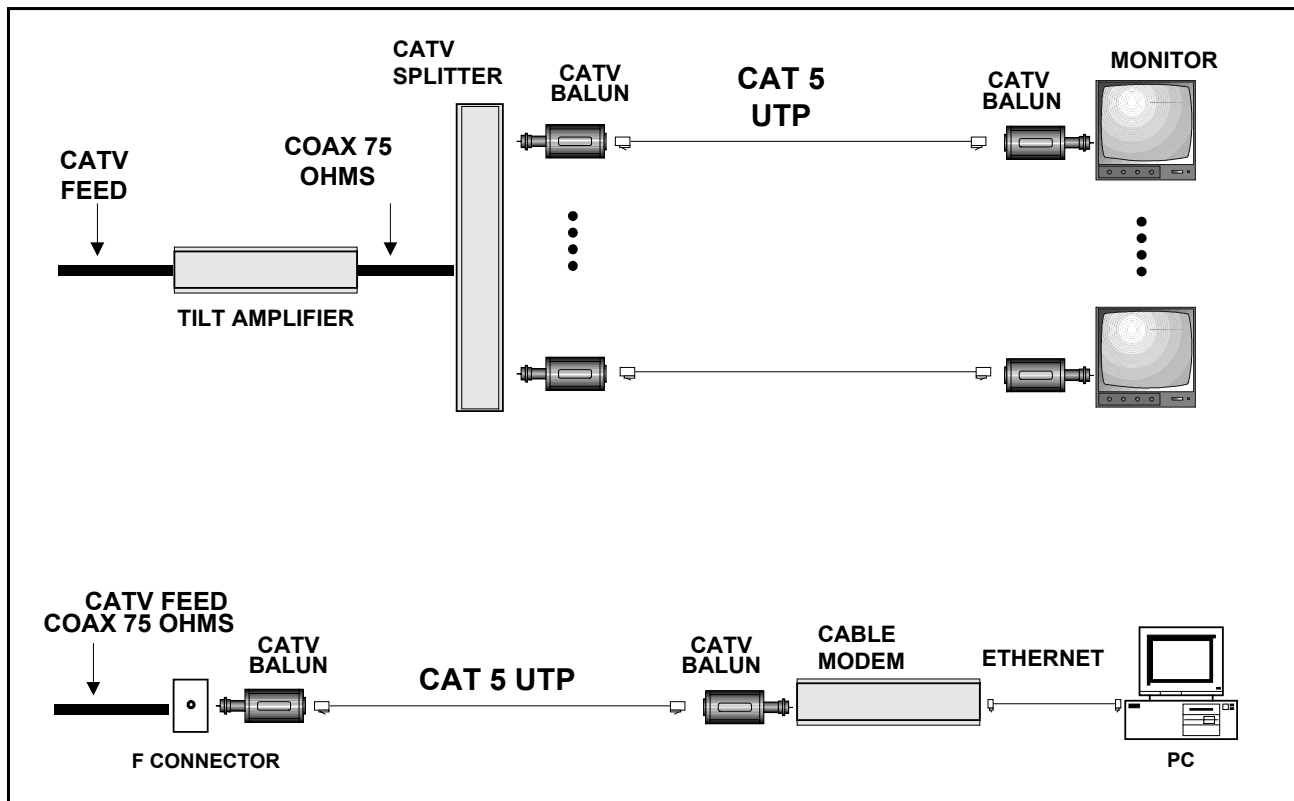
**Features**

Low return loss eliminates "ghosting"  
Compact design  
Lifetime warranty

Specifications	
<b>Environment:</b>	Private and public broadband CATV, VHF and FM networks.
<b>Devices:</b>	CATV, satellite receivers, VCR and other broadband video equipment.
<b>Transmission:</b>	Transparent to the user
<b>Bandwidth:</b>	5 MHz to 550 MHz.
<b>Video Channels Supported:</b>	CATV 2-77, VHF channels 2-13, FM broadcast band.
<b>Insertion Loss Per Pair:</b>	Typical: 3dB. Maximum 5dB for CATV channels 2-77
<b>Return Loss:</b>	-18dB or higher at 10 MHz to 550 MHz
<b>Common Mode Rejection CMMR):</b>	-20dB or higher at 40 MHz to 500 MHz.
<b>Cable – UTP:</b>	24-AWG or lower solid copper twisted pair. Impedance: 100-120-ohms
<b>Cable – Coax:</b>	Impedance: 75-ohms at 1Mhz (RG6)
<b>Connector – Input:</b>	"F" connector - male
<b>Connector - Output:</b>	RJ45 - female
<b>RJ45 Pin Configuration:</b>	RJ45 Pins 7&8. <i>Reverse polarity sensitive.</i>
<b>Maximum distance:</b>	Up to 100m (330ft) via Cat 5 UTP depending on frequency. Maximum 100m at CATV Channel 2. May require tilt amplifiers at higher frequencies.
<b>Temperature:</b>	Operating: 0 to 40°C. Storage: -10 to 70°C
<b>Enclosure:</b>	ABS. Internal surfaces EMI plated.
<b>Humidity:</b>	Maximum 95% (non-condensing)
<b>Dimensions:</b>	2.5" x 1" diameter (6.35 x 2.54 cm diameter)
<b>Regulatory Approval:</b>	FCC Part 15 Class A and Class B
<b>Warranty:</b>	Lifetime
<b>Order Information</b>	500006 VideoEase CATV Balun, "F" Connector -M, RJ45 P7&8

### Typical Application:

In a point-to-point scenario for CATV (superband and hyperband), VHF and FM, cable lengths of up to 50 meters may be achieved without amplification if the nominal input is about 15dB. In some applications, a tilt amplifier may be required since the UTP losses are higher than coax at the higher frequencies. Linear gain compensation of up to 20-25dB at 750MHz is usually adequate. Conversely, if amplification is used to compensate for losses at higher frequencies and long distances, it may be necessary to attenuate the lower frequency, shorter distance signals to avoid over-driving the TV monitors.



### MuxLab Inc.

8114 Trans Canada Hwy, Ville St. Laurent, Quebec, H4S 1M5

Tel: (514) 905 0588 Fax: (514) 905 0589

Toll Free: 877 689-5228

E-mail: [videoease@muxlab.com](mailto:videoease@muxlab.com)

Internet: [www.muxlab.com](http://www.muxlab.com)