

Overview

The SCART/Péritel Balun allows a single composite video or S-Video signal plus stereo analog audio signals to be transmitted via unshielded twisted pair (UTP) cable in the European SCART/Péritelvision/Euroconnector environment.

The SCART/Péritel Balun is directional, operating as a transmit/receive pair and features two (2) models: 500060 and 500061; The 500060 is connected to the video source (transmit) and the 500061 is connected to the video display (receive).

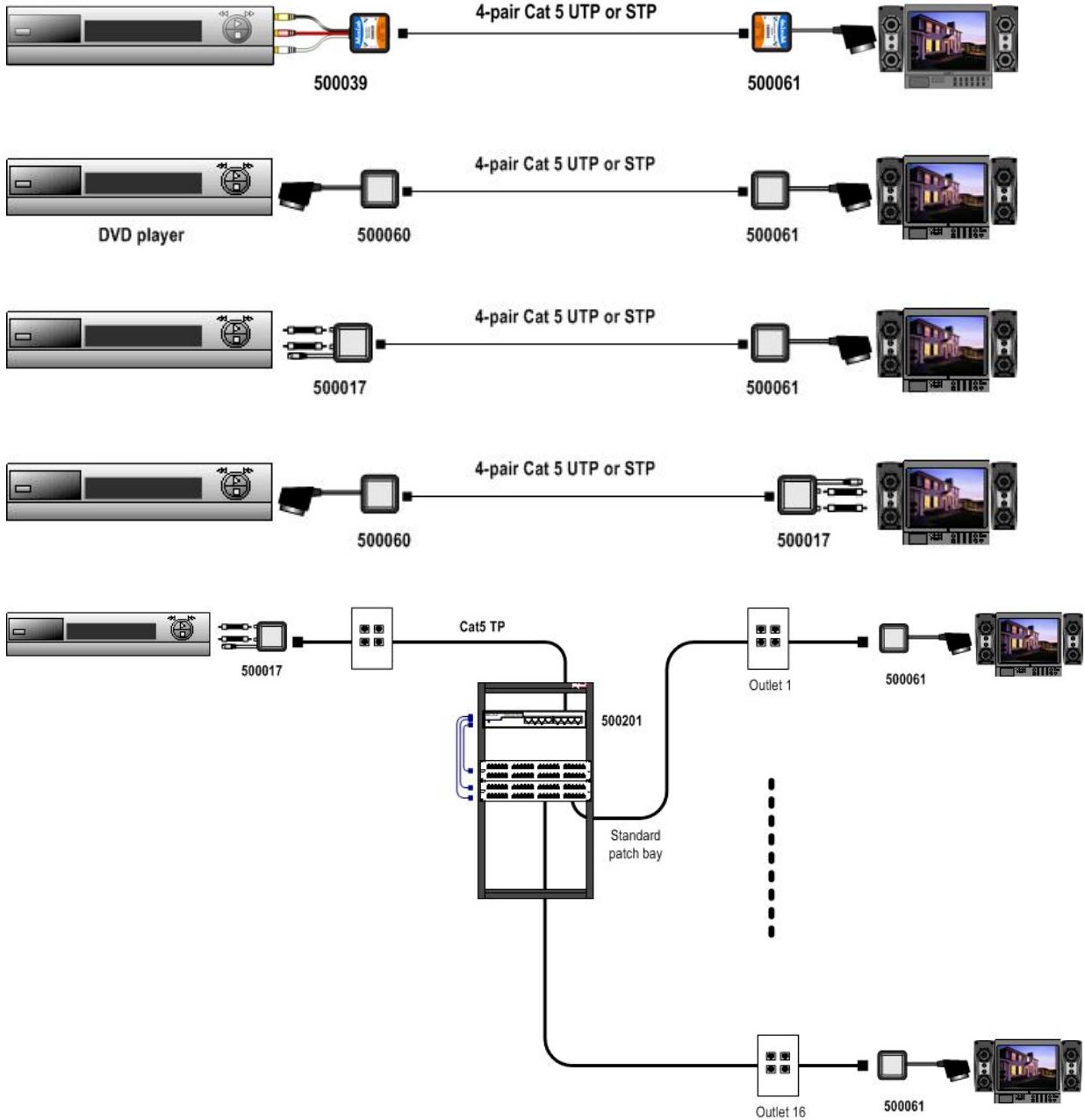


Features & Benefits

- Supports PAL, SECAM, NTSC
- Supports SCART, Péritel, Euroconnector
- Composite video up to 670m via Cat5E/6 UTP
- S-Video up to 305m via Cat5E/6 UTP
- More cost-efficient cabling
- Works in conjunction with other MuxLab baluns

Specifications					
Environment		SCART, Péritelvision, Euroconnector. Composite Video, S-Video, stereo audio. PAL, SECAM, NTSC			
Devices		DVD players, VCR, satellite receivers, Xbox, Digital TV, MPEG players, monitors, LCD projectors, plasma screens, video switchers, sequencers, digital video servers, video multiplexers, video distribution amplifiers, video converters and other composite video and S-Video equipment for SCART/Péritelvision/Euroconnector.			
Transmission		Transparent to the user.			
Compatible Baluns		500000, 500001, 500009, 500012, 500016, 500017, 500019, 500021, 500023, 500201			
		Composite Video & S-Video		Stereo Analog Audio	
Bandwidth		DC to 6 MHz		600 Ω: 73 Hz to 156 KHz; @300m 1.2 KΩ: 128 Hz to 91 KHz; @300m	
Impedance		75 Ω		600 Ω min.	
Max. Input		1.1Vp-p		1.1Vp-p	
Insertion Loss		Less than 2 dB per pair over the frequency range from DC to 6 MHz		600 Ω: < 3dB per pair; 1.2 KΩ: <1.9 dB per pair	
Return Loss		Better than 15 dB from DC to 6 MHz		N/A	
Common Mode Rejection		Greater than 40 dB from DC to 6 MHz		N/A	
Max. Distance – Cat 5 UTP		S-Video: 300m. Composite video: 670m		1,500m	
Cable – UTP		24AWG or lower solid copper twisted pair. Impedance: 100 Ω at 1 MHz; Maximum capacitance: 65 pf/m. Attenuation: 2.2 dB/100m at 1 MHz			
Connectors		One (1) SCART/Péritel/Euro connector and one (1) shielded RJ45 connector			
Pin Configuration					
500060			500061		
SCART	Description	RJ45 EN 50173	RJ45 Signal	SCART	Description
4	Audio return	1	Audio 1 [R]	4	Audio return
1	Audio right out (signal)	2	Audio 1 [T]	2	Audio right in (signal)
4	Audio return	3	Audio 2 [R]	4	Audio return
13	Chroma return	4	Chroma [R]	13	Chroma return
15	Chroma out	5	Chroma [T]	15	Chroma in
3	Audio left (mono) out (sig)	6	Audio 2 [T]	6	Audio left (mono) in (signal)
17	Luma return Composite video return	7	Luma/Composite [R]	18	Luma return Composite video return
19	Luma out Composite video out	8	Luma/Composite [T]	20	Luma in Composite video in
21	Shield (optional)	Shield	Shield (optional)	21	Shield (optional)
Temperature		Operating: 0° to 55° C. Storage: -20° to 85° C. Humidity: up to 95%			
Enclosure		Fire retardant plastic			
Dimensions		6.1cm (2.40") x 5.5cm (2.25") x 2.5cm (1.00") plus 10.2cm (4") SCART cable lead			
Weight		3.3 oz (94 gms)			
Warranty		Lifetime			
Standards		EN 50173, EIA/TIA 568, ISO/IEC DIS 11081			
Order Information		500060 SCART/Péritel Balun – Transmit (Source) 500061 SCART/Péritel Balun – Receive (Display)			

Typical Application



MuxLab Inc.

8495 Dalton Road, Mount Royal, Quebec, Canada, H4T 1V5

Tel: +1 (514) 905 0588 Fax: +1 (514) 905 0589

E-mail: videoease@muxlab.com

URL: www.muxlab.com